



SmartCam

Be smart - Be secure.

Carl Wittkopp GmbH

Konrad-Zuse-Straße 5
42551 Velbert
Germany

Telephone +49(0)2051 9566 0
Telefax +49(0)2051 9566 66
info@carl-wittkopp.com
www.carl-wittkopp.com

Wittkopp is member of ESSA, EHI and VFS
Certified by DIN EN ISO 9001





Security has never been smarter.

Locker rooms at a gym are used by many people, whereas containers in an office only by one. No matter if a cabinet has got a high user fluctuation or is configured for a constant group of people, SmartCam is a safe choice for locker rooms, cabinets, deposits, containers in an office or other safekeeping furniture.

The solid metal casing with its clearly arranged membrane keypad and the compact turning knob convinces in form and function. The modern design reflects robustness and reliability.

SmartCam combines five operating modes in one casing. It is therefore adjustable to any organisational requirement. Not only in preparation of use but even during running operation. A modification of number of users, access rights or even code length is possible without a problem.

The various possibilities are obvious during installation. SmartCam is manufactured for four installation directions and its direction of closing can be selected during mounting.

The energy consumption of SmartCam is very low and it can be battery run. The battery compartment is secured against theft from the inside and in case of an emergency the lock can be powered from the outside.

During service, SmartCam convinces by easy and comfortable handling. Supported by optical and acoustic signals the user enters his code. The casing with its protruding edge simultaneously serves as door handle.

The advantage through flexibility, energy consumption and operation leads to cost benefits in purchasing, storage and logistics. On top of these advantages the lack of key administration can reduce follow-up costs.



Flexibility in any direction.

Operation mode	User	Master	Admin	Facility master	Locking
K1 / K5	9	1	1		any digit + turning knob
K2	1	1			any digit + turning knob
K3	1	1		1	code + turning knob
K4	1	1			code + turning knob

Operation mode K1

- Constant group of users for time-staggered use of cabinet
- User: open lock / change own code
- Master: open lock / change own and user code
- Admin: open lock / change own code / create user code and delete user
- Examples: Inner safe compartments or locker rooms in shift operation

Operation mode K2

- Only one user for regular openings of cabinet
- User: open lock / change own code
- Master: open lock / change own and user code
- Examples: Locker rooms or gun cabinet compartments

Operation mode K3 / K4

- Changing users for temporary locking of valuables
- Locking and opening with one-off code
- Previously chosen code loses validity after each opening
- User: open lock
- Master: open lock / change own code / delete user code
- Facility master: open lock without user noticing / change own code
- Examples: Locker rooms in gyms, bag deposits in retail, hotel safes or patient safes in hospitals

Operation mode K5

- Constant user group for openings in dual-verification procedure
- User: open lock / change own code
- Master: open lock / change own code / activate dual-verification procedure
- Admin: open lock / change own code / create and delete user
- Examples: Inner compartments of pharmacy and gun cabinets

Fast ordering.

Lock – Industry packaging

Article number	Arrangement	Keypad	For door thickness
SC-K1-10-00-01	vertical	on top	up to 5 mm
SC-K1-10-00-00	vertical	on top	up to 18 mm
SC-K1-10-10-01	vertical	on the bottom	up to 5 mm
SC-K1-10-10-00	vertical	on the bottom	up to 18 mm
SC-K1-10-20-01	horizontal	right-hand	up to 5 mm
SC-K1-10-20-00	horizontal	right-hand	up to 18 mm
SC-K1-10-30-01	horizontal	left-hand	up to 5 mm
SC-K1-10-30-00	horizontal	left-hand	up to 18 mm

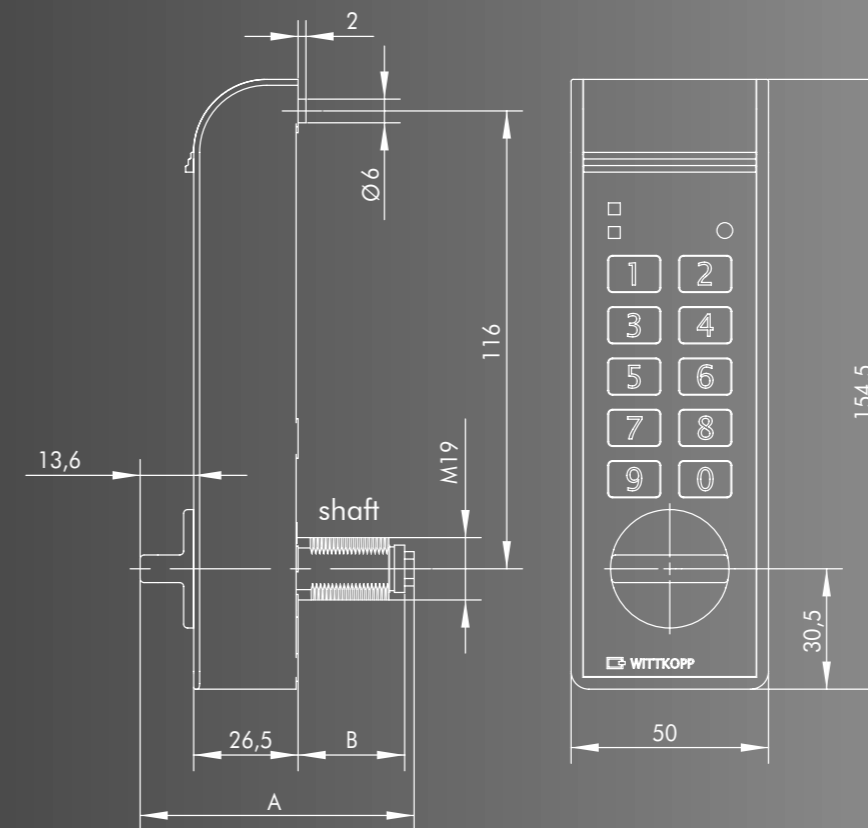
Lock cam - Industry packaging

Article number	Length / Offset (mm)
Z-010	33.5 / 0.0
Z-011	40.0 / 0.0
Z-012	32.8 / 2.0
Z-013	38.8 / 6.2
Z-014	39.5 / 7.0
Z-015	41.0 / 10.2

Notes for ordering:

Additional to the industry packaging there is single packaging available for delivery including all locking cams.

Lock



A (mm)	B (mm)	Suitable for door thickness
56	14	up to 5 mm, e.g. thin sheet doors
69	27	up to 18 mm, e.g. wooden doors

Lock cam

