



# METAL+ DOORS

AT THE HEART OF EVERY HEINEN DOOR

From the simplest to the most demanding requirements

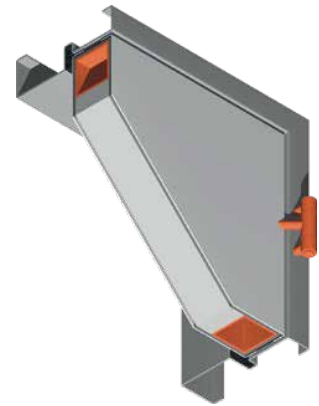


The Heinen heavy duty, high security steel doorsets offer an unrivalled combination of performances. Options include burglary, fire, smoke, bullet & blast resistance, alongside high acoustic & thermal performance as well as options for emergency & panic escape.

The Metal+ steel doors have always remained faithful to their primary objective: to provide protection while guaranteeing stability and robustness that enable heavy-duty use of the door.

## Components of the Metal+ door

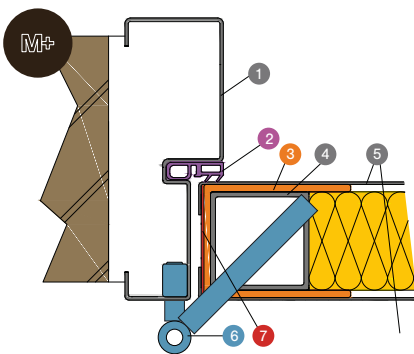
- Internal tubular steel framework
- Screwed on metal sheets in galvanised or stainless steel
- Adjustable screwed on hinges for precision fitting



## The winning combination for a minimal total cost

- Robustness and extreme mechanical resistance
- Very low cost of use :  
simple to replace components + low maintenance
- Combining high performance features
- 10 or 15 years warranty defined by the installation method

## Components of the Metal+ Door

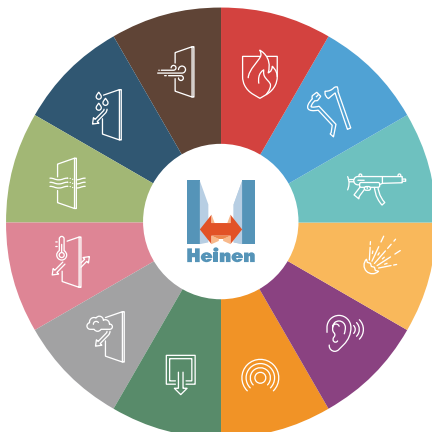


## Metal+ Doors have the following basic performance features

- 1 Frame (steel sheet 15/10 or 20/10) covering the thickness of the reveal for an attractive finish (with optional thermal break).
- 2 Double lip seal.
- 3 Insulation around the edges of the door (with intumescent material for fire doors).
- 4 Tubular steel structure (60 x 60 x 2 mm).
- 5 Door skin comprising 15/10 galvanised steel sheet screwed into the tubular structure and individually replaceable.
- 6 Self-lubricating hinges, adjustable and replaceable, screwed into the tubular door structure.
- 7 Hyper-strong synthetic material (for optimum protection of the insulation or intumescent material incorporated into the door leaf).

## Combining bespoke performance features

Heinen doors can combine performance features on a bespoke basis. Depending on your needs, one or more performance features are added to the basic, robust METAL+ door.



### Fire resistance

EN 1634-1  
EI1 30, 60, 120  
EI2 30, 60, 120, 180, 240  
EW 30, 60, 120, 180, 240  
HCM 120/CN240 (N3)

### Burglary resistance

EN 1627-1630  
RC2, RC3, RC4, RC5  
AE20  
NF P20-551 & NF P20-311  
Niv.5 cat.B / Niv.5 cat.B+

### Acoustic performance

EN 717-1 : Rw (C; Ctr) dB (A)  
36 (-1; -2) to 55 (-2; -7)

### Bullet-proof

EN 1522-1523  
FB4, FB5, FB6, FB7  
AK47

### Blast-proof

(Only in static calculations)

### Electromagnetic shielding

(on demand)

### Anti-panic

EN 179 & EN 1125  
(emergency exit devices)

### Smoke tightness

EN 1634-3  
Sa, Sm (200 °C)

### Thermal insulation

EN 10077-1 & EN 10077-2  
Up to 1,5 W/m2K

### Airtightness

EN 1026 & EN 12207  
L1, L2, L3, L4

### Watertightness

EN 1027 & EN 12208  
E0 to E9 + E750

### Wind resistance

EN 12211 & EN 12210  
VC4

Alles moet weg



# SECURITY AND FIRE DOORS RANGE

- Fire doors
- Tunnel fire doors
- Burglary resistant partitions and doors
- Prison doors
- Acoustic doors
- Blast proof doors
- Swing doors
- Double doors with no priority direction of opening
- XXL doors
- Two-way doors
- Doors, frames & glazed units
- Surface mounted door

## MARKETS



Culture, sports & education



Retail stores



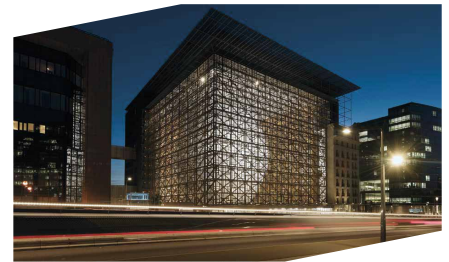
Social



Tunnel



Transport & car parks



Residential



High security



Energy



Industry

## A WIDE RANGE OF OPTIONS



RAL painted door

### Finishes:

- Hot-dip galvanised steel: 275 g/m<sup>2</sup>
- RAL painting
- Stainless steel



Heinen integrated door closer

### Hardware:

- Mechanical & electronic locks
- Manual & automatic locking
- Access control
- Push and pull handles
- Emergency & panic escape devices
- Ventilation louvres
- Surface mounted & integrated door closers
- Weather strip systems
- Thresholds
- Glazing
- Alarm connections, lock & door status monitoring
- Door stops & hold open devices

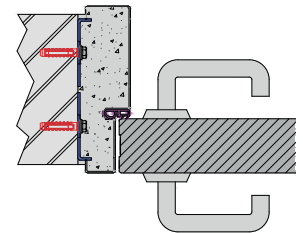


## Fully trained Burton Security installation engineers



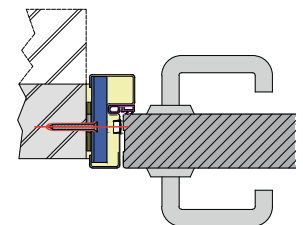
**INSTALLATION WITH  
WELDES FITTING CLAMPS  
AND MORTAR FILLING**

**15 Year warranty\***  
UP TO 1,000,000  
open close cycles  
tested with accessories



**SCREWED INSTALLATION**

**10 Year warranty\***  
UP TO 500,000  
open close cycles  
tested with accessories



\*When installed by a Burton Security trained engineer. Warranty on the lock is limited to that offered by the lock manufacturer

## Metal+ doors have the following basic performance features



**Frequency of use:**  
1,000,000 open/close cycles  
(maximum level)



**Burglary resistance:**  
RC2 (subject to conditions)



**Air tightness:**  
Level L1



**Mechanical resistance:**  
M+7 (maximum level)



**Acoustic performance:**  
Basic soundproofing  $R_w = 30$  dB



**Thermal insulation:**  
T4: average  $U \approx 1.9$  W/m<sup>2</sup>K  
(with automatic door bottom seal)



**Service life:**  
15-year warranty on the door set

\*The available performance features are subjected to the installation method. Please contact us.

**BURTON  
SECURITY**

**+44 (0) 1484 663388**  
**enquiries@burtonsecurity.com**

Brockholes Business Park,  
Rock Mill Road, Holmfirth, HD9 7BN