




# AS4301 AS4300 Series

Clutched Handle



## FEATURES

-  Clutched handle  
Protects against force -  
Clutch disengages latch
-  2000+ combinations
-  Reversible handing



## SPECIFICATION

**Finish:** Satin Stainless

**Construction:** Cast housing & knob with Stainless Steel buttons

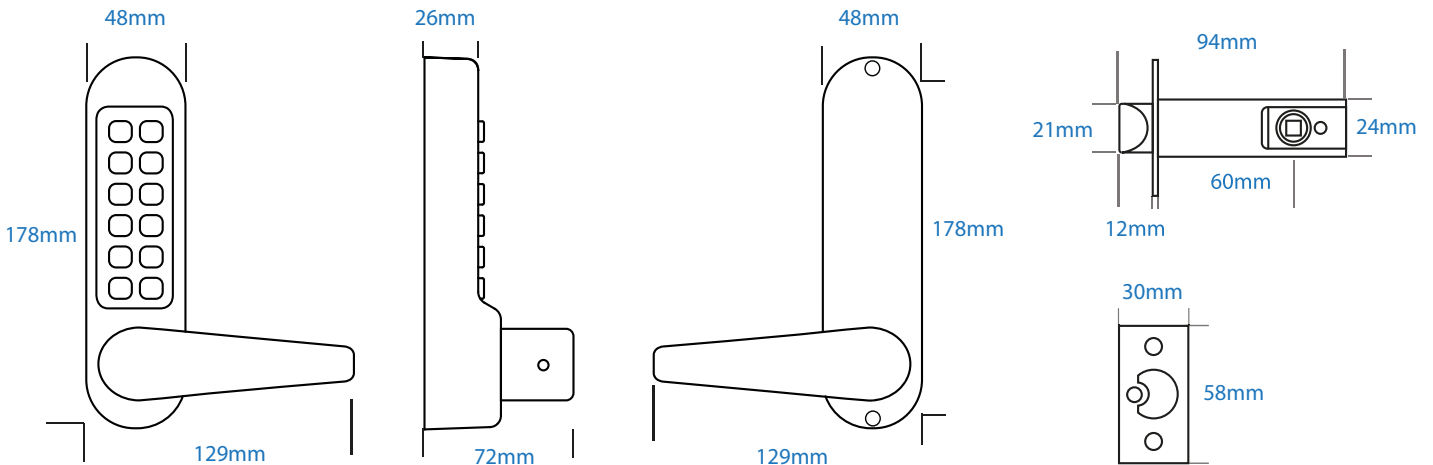
**Buttons:** 12 buttons - 10 Coded, 1 clear & 1 Free passage (non-functional)

**Fixings:** 8mm bladed spindle, fixing kit supplied for doors up to 60mm thickness

**Door type:** Suitable for internal and external use

**Deadlatch:** Anti-thrust pin ensures automatic locking when the door is closed

## PRODUCT DIMENSIONS



For more details on this or any products in the Asec range please visit our website  
[www.asec.co.uk](http://www.asec.co.uk) or email us at [info@asec.co.uk](mailto:info@asec.co.uk)