

AS3302 AS3300 Series

Easy Code Change / Optional Holdback



FEATURES

- Quick and easy code change
Change the code without removing the unit from the door
- Optional holdback
- Option to disable on-door code change
- 4000+ combinations
- Reversible handing



SPECIFICATION

Finish: Stainless Steel PVD

Construction: Cast housing & knob with Stainless Steel buttons

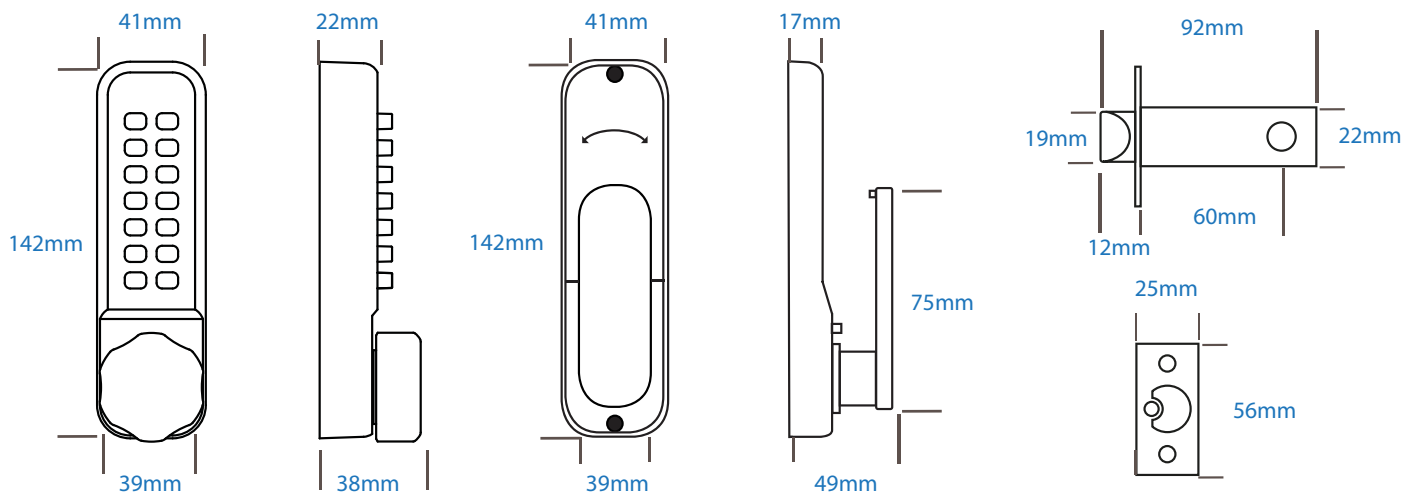
Buttons: 14 buttons - 12 coded, 1 clear & 1 code change

Fixings: 2 flat bladed spindles (80 & 100mm) and fixing kit supplied for door thickness up to 54mm

Door type: Suitable for internal and external use

Deadlatch: Anti-thrust pin ensures automatic locking when the door is closed

PRODUCT DIMENSIONS



For more details on this or any products in the Asec range please visit our website
www.asec.co.uk or email us at info@asec.co.uk

Compare the range...



		AS2300 SERIES				AS3300 SERIES			AS4300 SERIES								
		AS2300	AS2301	AS2303	AS2304	AS3301	AS3302	AS3303	AS4301	AS4302	AS4303	AS4304	AS4305	AS4306	AS4307	AS4308	AS4309
	Finish	SC	PB	SC	PB	SC	SS PVD	SC	SS	SS	SS	SS	SS	SS	SS	SS	SS
	Quick and easy code change					●	●	●			●			●		●	●
	Free turning handle										●			●		●	●
	Clutched keypad handle								●	●		●	●		●		
	Optional holdback	●	●	●	●	●	●	●									
	Free passage mode								●	●	●		●	●		●	●
	External code change plug					●	●	●			●			●		●	●
	Key override							●									●
	Designed for use with Panic Hardware														●	●	
	Combinations	1000+	1000+	1000+	1000+	4000+	4000+	4000+	2000+	2000+	1000+	2000+	2000+	1000+	2000+	1000+	1000+
	Cycle tested	100k+	100k+	100k+	100k+	100k+	100k+	100k+	100k+	100k+	100k+	100k+	100k+	100k+	100k+	100k+	100k+
	Guarantee	5 year	5 year	5 year	5 year	5 year	5 year	5 year	5 year	5 year	5 year	5 year	5 year	5 year	5 year	5 year	5 year

For more details on this or any products in the Asec range please visit our website www.asec.co.uk or email us at info@asec.co.uk